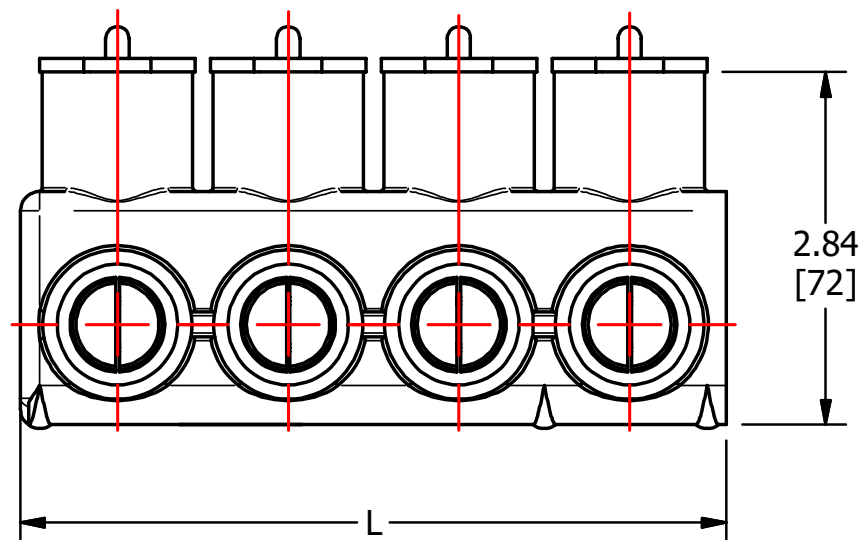
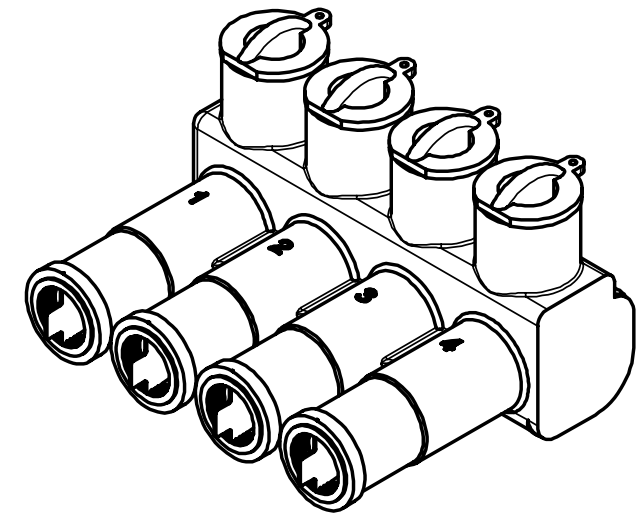
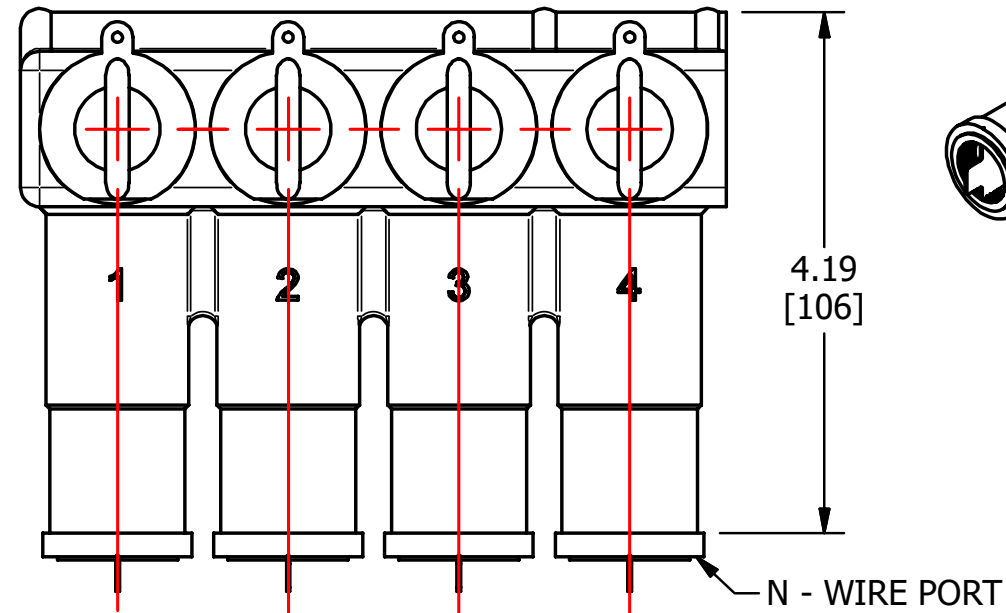


| S.NO | CATALOG NUMBER | L              | N |
|------|----------------|----------------|---|
| 1    | SSBC500-3S     | 4.31<br>[110]  | 3 |
| 2    | SSBC500-3SI    | 4.31<br>[110]  | 3 |
| 3    | SSBC500-4S     | 5.69<br>[144]  | 4 |
| 4    | SSBC500-4SI    | 5.69<br>[144]  | 4 |
| 5    | SSBC500-5S     | 7.06<br>[179]  | 5 |
| 6    | SSBC500-5SI    | 7.06<br>[179]  | 5 |
| 7    | SSBC500-6SI    | 8.44<br>[214]  | 6 |
| 8    | SSBC500-7S     | 9.80<br>[257]  | 7 |
| 9    | SSBC500-7SI    | 9.80<br>[257]  | 7 |
| 10   | SSBC500-8S     | 11.19<br>[284] | 8 |
| 11   | SSBC500-8SI    | 11.19<br>[284] | 8 |
| 12   | SSBC500-9S     | 12.56<br>[319] | 9 |
| 13   | SSBC500-9SI    | 12.56<br>[319] | 9 |



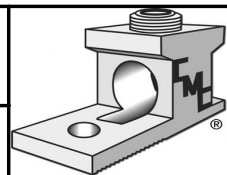
INSULATION MATERIAL: EPDM RUBBER  
CONNECTOR MATERIAL: ALUMINUM  
CONDUCTOR RANGE: 500 KCMIL-12

|      |                     |     |          |       |   |   |   |                        |
|------|---------------------|-----|----------|-------|---|---|---|------------------------|
|      |                     |     |          |       | TO ORDER CMC PRODUCTS<br>UNITED STATES<br>1-513-860-4455<br>CANADA<br>1-800-361-6975<br>MEXICO<br>011-52-722-265-4400<br>FOR PRODUCT INFO<br>www.cmcugs.com | DRAWN BY: TS<br>01-22-20<br>CHECKED BY: | NAME OF PART:<br>SURE SEAL COVER ASSEMBLY<br>DWG NO:<br>U22700084-S (CHARTED) | CAT. NO.:<br>SEE TABLE |
| A    | NEW DRAWING CREATED |     | 01-22-20 | TS    |   | DRAWING NOT TO SCALE                    |   | SHEET NO: 1 OF 1       |
| REV. | DESCRIPTION         | ECN | DATE     | INIT. |   |   |   |                        |

THIS INFORMATION IS PROPRIETARY TO CONNECTOR MFG. CO. AND IS NOT TO BE DISCLOSED OUTSIDE OF CONNECTOR MFG. CO. WITHOUT A CONFIDENTIALITY AGREEMENT



**CONNECTOR MANUFACTURING CO.**



HAMILTON, OHIO